

MECHANICAL DATA

Bulb	T-12
Base	B8-71, Short Jumbo Shell Octal, 8-Pin
Top Cap	C1-1, Small
Outline	See Drawing
Basing	8GH
Cathode	Coated Unipotential
Mounting Position	Any

ELECTRICAL DATA

HEATER CHARACTERISTICS

Heater Voltage, AC	3.15 Volts
Heater Current	220 Ma

DIRECT INTERELECTRODE CAPACITANCES (Approx.)

Plate to (h + k + I.S.)	1.8 μ f
-----------------------------------	-------------

RATINGS (Design Center Values — Except as Noted)

Pulsed Rectifier Service¹

Inverse Plate Voltage	
Total DC and Peak, Abs. Max.	35000 Volts
DC	25000 Volts Max.
Peak Plate Current	80 Ma Max.
Average Plate Current	1.1 Ma Max.

CHARACTERISTICS

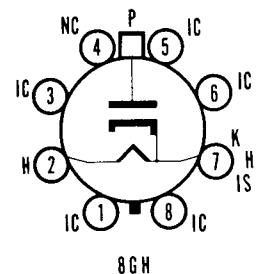
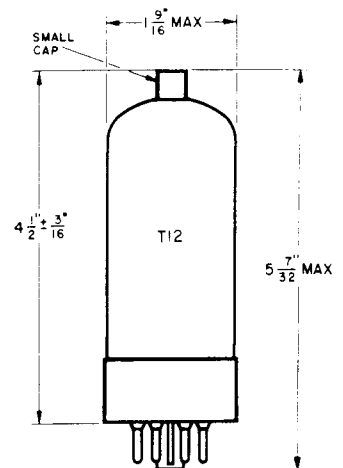
Tube Drop with DC	
Plate Current of 7 Ma	135 Volts

NOTES:

1. For operation in a 525 line, 30-frame system as described in "Standards of Good Engineering Practice for Television Broadcast Stations; Federal Communications Commission".
2. Pins 1, 3, 5 and 7 may be connected together. Pins 2, 6 and 8 may be connected together. Pin 4 may be connected to either pin 2 or pin 7, or may be used as a tie point for a heater dropping resistor. Do not use pin 4 as a low potential tie point.

QUICK REFERENCE DATA

The Sylvania Type 3B2 is a half-wave, high voltage rectifier contained in a T-12 envelope. It is designed for application as a high voltage rectifier in color television receivers.



(NOTE 2)

SYLVANIA ELECTRIC PRODUCTS INC.

**RADIO TUBE DIVISION
EMPORIUM, PA.**

*Prepared and Released By The
TECHNICAL PUBLICATIONS SECTION
EMPORIUM, PENNSYLVANIA*

JANUARY 1956

PAGE 1 OF 2

AVERAGE PLATE CHARACTERISTICS

